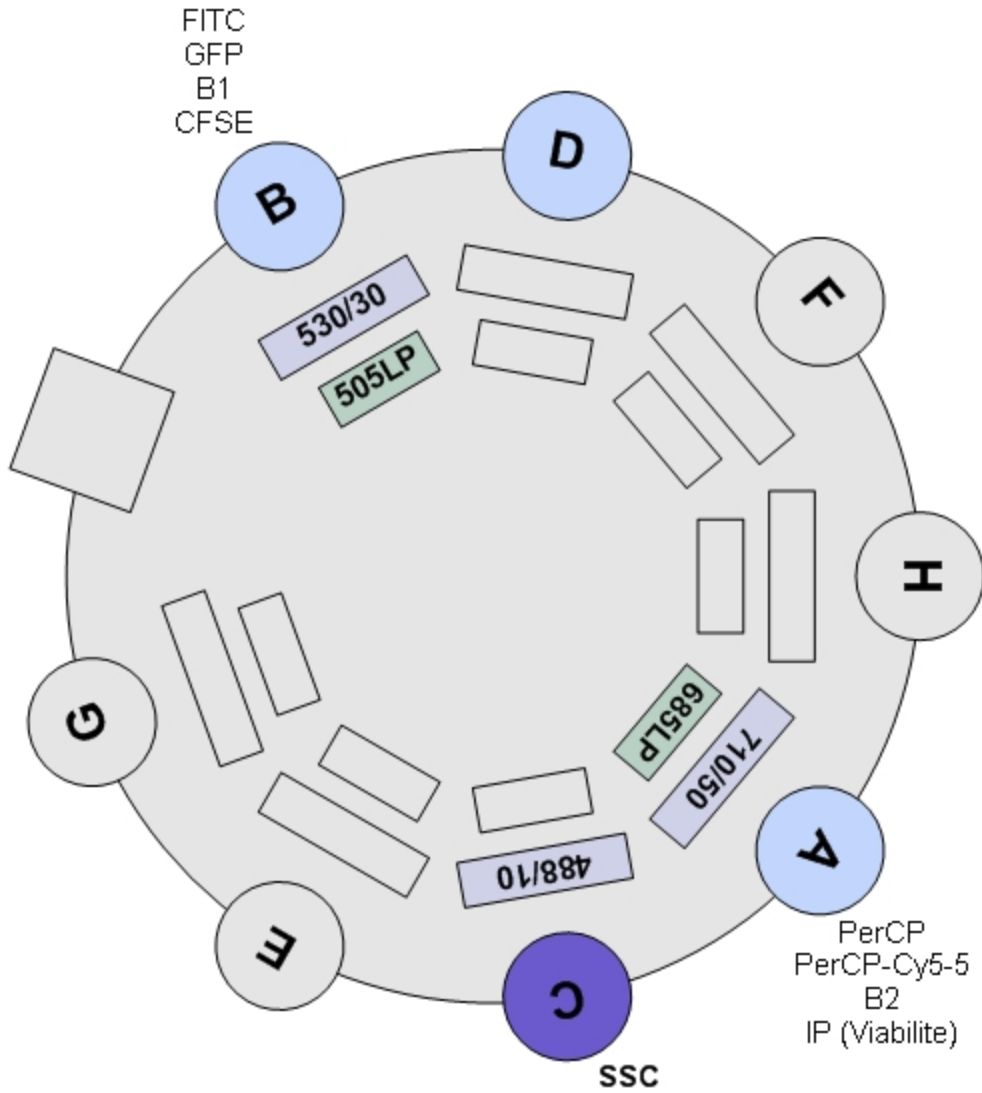


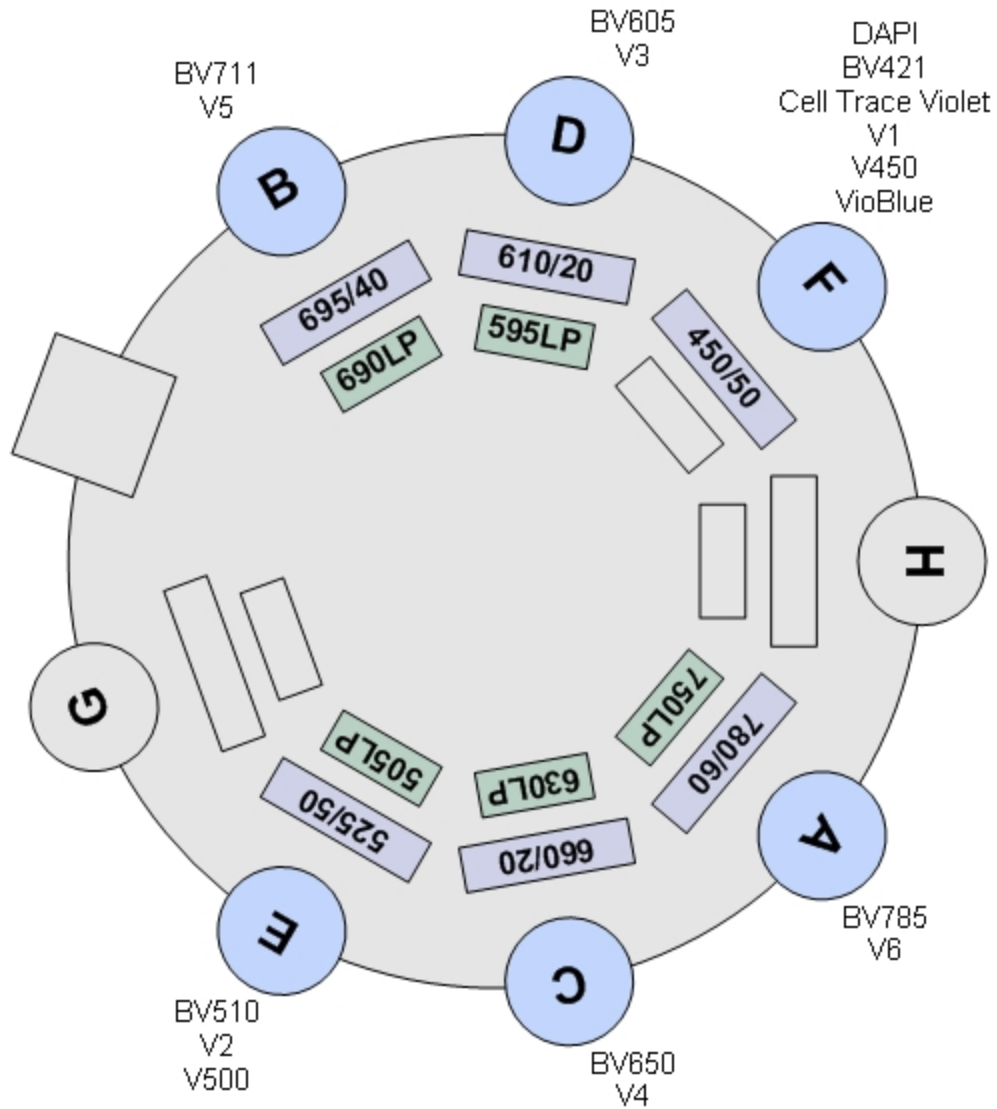
# Brilliant Violet B2-V6-R3-GY5

Cytometer:	LSRII	User:	Administrator
Cytometer Name:	LSRII	Institution:	
Serial Number:	1	Software:	BD FACSDiva 6.1.3
Input Device:	Manual	Date:	5/2/2013 2:03:06 PM
Window Extension:	10.00		

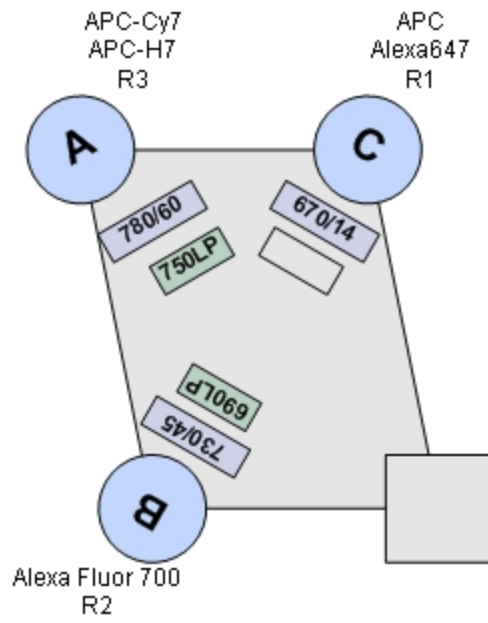
Blue Laser  
(488nm)  
FSC



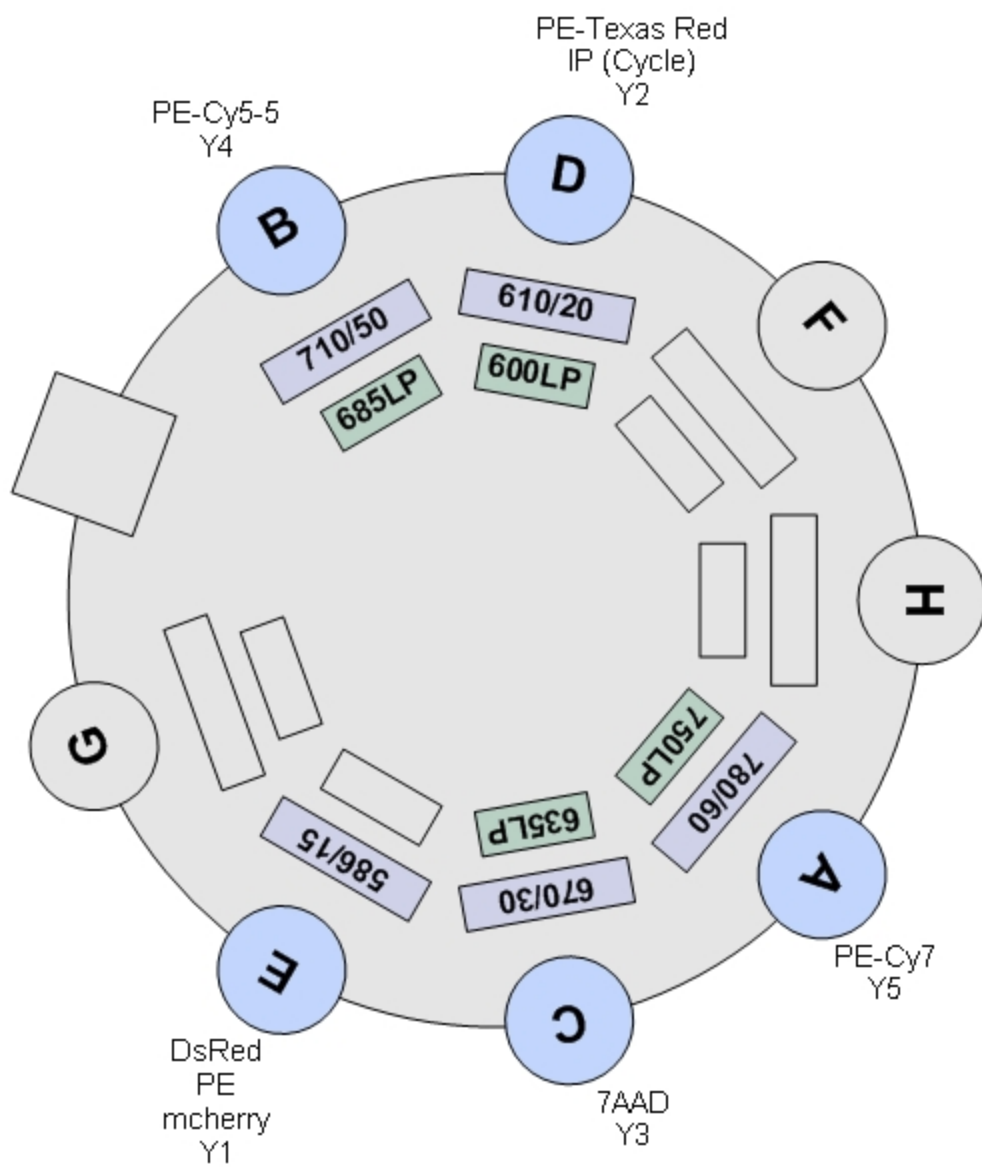
Violet Laser  
(405nm)



Red Laser  
(640nm)



Yellow-Green Laser  
(561nm)



Comments: